



### For Installations Requiring

- Compact, full-range loudspeaker
- Even, omnidirectional coverage
- Clear voice announcements
- Seamless background music
- Fast distributed system install

### Description

The Soundsphere 110B was designed to provide clear voice announcements, seamless background music and even, omnidirectional coverage. It is a compact, unobtrusive speaker that is just 10" in diameter and offers fast distributed system installation. Broad dispersion of all frequencies is achieved with a 6.5" full-range driver and proprietary dispersion technologies. The 110B offers a hemispherical coverage pattern and can evenly cover a large area with fewer speakers. It comes fully assembled and ready to mount using our hanging kit or mounting bracket.

### Features

- Hemispherical coverage pattern.
- Accurate, full-range voice announcements.
- Light-weight enables many varied mounting possibilities.
- Fully assembled and ready to mount.
- Hanging or surface-mount.
- Standard white (paintable)
- Included 30W transformer for 70.7/100V applications (4Ω bypass available)
- Included hanging kit (SS-HK)

## SOUNDSPHERE 110B PRODUCT SPECIFICATIONS

System Type	6 1/2" (165 mm) full-range
Impedance (Nominal) <sup>1</sup>	4 Ω
Sensitivity dB @ 2.83 V / 1 M	96 dB
Sensitivity dB @ 1 W / 1 M <sup>2</sup>	93 dB
Frequency Response (±3 dB) <sup>3</sup>	220 Hz - 18 kHz
Frequency Response (±10 dB) <sup>3</sup>	100 Hz - 20 kHz
Max. Continuous Peak Power <sup>4</sup>	70 W
Max. Continuous Power RMS <sup>5</sup>	35 W
Max. Power SPL @ 1 M <sup>6</sup>	108.5 dB
Coverage Angle (±6 dB @ 2 kHz)	165°
Coverage Angle (±6 dB @ 10 kHz)	155°
Coverage Angle (Avg. 500 Hz - 4 kHz)	170°
Transformer	30 W
Transducer: Full-Range	6 1/2" (165 mm) treated pulp fiber
Voice Coil	1"   25.4 mm
Enclosure & Reflector Material	Structural foam polystyrene with rust-resistant hardware
Inputs	Hardwire leads
Colors	White (paintable); custom colors available
Height	11 7/8"   302 mm
Diameter	Sphere: 10" (254 mm)   Reflector: 14 7/8" (378 mm)
Weight	8 lbs   3.6 kg
Shipping Weight	11 lbs   5 kg
Packaging	One per box
Optional Accessories	Hanging Kit Extension (SS-HKEXT), Mounting Bracket (SS-MBS), Beam Clip (SS-BC), Drop-Ceiling Bracket (SS-DCB), Adjustable Tilt Bracket (SS-ATB), Beam Clamp, Large (SS-BCL), Beam Clamp, Medium (SS-BCM), Hanging Kit 24" Extension, Large (SS-HKLEXT2), Hanging Kit 48" Extension, Large (SS-HKLEXT4), Hanging Kit 24" Extension, Medium (SS-HKLEXT), Surface Mounting Bracket, Medium (SS-MBM), Small Screen with Weather Filter (SS-SWFS)
Certifications	CE, RoHS

<sup>1</sup> Impedance listed per IEC 60268-5 with a minimum less than 80% the nominal impedance

<sup>2</sup> 1 W / 1 M sensitivity determined using nominal impedance

<sup>3</sup> Frequency response measured in half or full space as dictated by speaker mounting configuration

<sup>4</sup> Max program power is 3 dB above max continuous power

<sup>5</sup> Continuous power rating, EIA-426-B test

<sup>6</sup> Max output based on max continuous power



## Applications

Providing full-range music and voice in a compact, unobtrusive enclosure, the 110B loudspeaker is ideal for applications such as supermarkets, retail stores, factories, warehouses, courtrooms, classrooms/other educational facilities, stadium/arena concourses, gift shops, restrooms, airports/transportation centers, office building reception areas, restaurants, casinos, shopping center common areas/food courts and anywhere background music and articulate voice announcements are required.

## Patented Technologies

SoundTube constantly develop new technologies which enhance audio product performance. SoundTube innovations are protected by multiple U.S. and international patents, which explicitly cover SoundTube's enclosure and dispersion technologies. SoundTube actively defends its patents in order to protect Soundsphere resellers and end-users.

## Technical Data and Specification Tools

SoundTube strives to provide complete and effective technical information and data to dealers, engineers and designers. All data is available from SoundTube or at [www.soundtube.com](http://www.soundtube.com).

Technical data and downloads include:

- EASE™ data - 3-D polar plots
- EASE™ Address - 2-D modeling for distributed systems
- Tech Sheets - technical information and architectural specs for system engineers
- Distributed System Quick Planning Guide - online configuration tool and step-by-step guide are available to assist in the design of effective public area distributed sound systems using Soundsphere omnidirectional loudspeakers

## Independent Data Acquisition and Verification

All data for Soundsphere loudspeakers from SoundTube is independently collected from and verified by NWAALabs ([www.nwaalabs.com](http://www.nwaalabs.com)) using their proprietary MACH testing system. All data is collected and analyzed according to ASTM, ISO and AES standards using EASERA, TEF and MLSSA. Full balloon data including both phase and magnitude is compiled into a variety of formats including EASE 4.x, GLL and CLF.

## Architectural Specifications

The loudspeaker driver shall consist of one 6.5" (165 mm), full-range driver made of treated pulp fiber.

Performance specifications of a typical production unit shall be as follows: Usable frequency response shall extend from 100 Hz - 20 kHz ( $\pm 10$  dB). The vertical polar coverage shall be  $170^\circ \pm 6$  dB. Measured sensitivity (1 W / 1 M) shall be at least 93 dB. The speaker shall have a rated impedance of 4  $\Omega$ . The speaker shall be available for 25, 50, 70, and 100 V modes and shall include 7 power tap selection leads for use with electrical wire nuts or crimp caps. Rated power capacity shall be at least 35 W continuous RMS and conform to EIA-426-B testing. Calculated maximum continuous output at 1 M and shall be 108.5 dB.

The complete loudspeaker shall be no more than 11.875" (302 mm) in

height. The driver shall be mounted in a spherical enclosure made of structural foam polystyrene that is no more than 10" (254 mm) in diameter. The reflector shall be no more than 14.875" (378 mm) in diameter.

The complete loudspeaker shall weigh no more than 8 lbs (3.6 kg). Hardware shall be rust and corrosion resistant.

Optional accessories shall include: a Mounting Bracket (SS-MBS) to mount flat against a ceiling surface; a Hanging Kit (SS-HK); a 24" Hanging Kit Extension (SS-HKEXT); a Beam Clip (SS-BC) for mounting to a beam flange; a Drop-Ceiling Bracket (SS-DCB); Small Screen with Weather Filter (SS-SWFS) that additionally offers a water protection barrier.

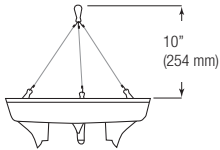
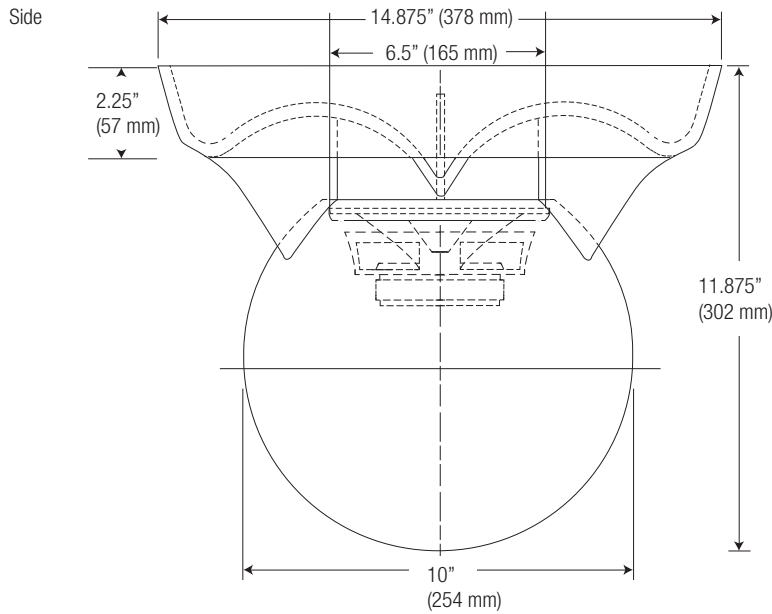
The system shall be the Soundsphere Model 110B for wide-range, wide-coverage sound dispersion.

## Warranty

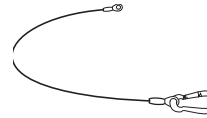
Soundsphere loudspeakers from SoundTube are warranted against failure or malfunction due to defects in materials or workmanship for a period of five years from date of original purchase. Speaker electronics are warranted for three years. Defective units will be repaired or replaced at our option if delivered prepaid to our factory. Repaired or replaced units will be returned at our expense. Warranty does not cover appearance or damage caused by abuse, misuse, neglect, accident, or exceeding maximum rated power. Warranty does not cover labor costs involved in removing and/or reinstalling the defective unit, nor any liability due to accidents caused by improper installation. Warranty is extended to original purchaser and is not transferable.

## SoundTube®

13720 W. 109th St.  
Lenexa, KS 66215  
Phone: 913.663.5600  
Fax: 913.663.3200  
Toll Free: 855.663.5600  
[www.soundtube.com](http://www.soundtube.com)



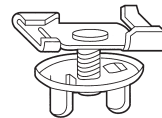
**Hanging Kit (SS-HK)**



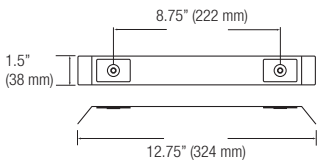
**Hanging Kit Extension (SS-HKEXT)**  
24" extension for use with SS-HK.



**Beam Clips (SS-BC)**  
Locates a 0.25" hole on a 0.125" to 0.25" beam flange using just a hammer.



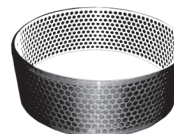
**Drop Ceiling Bracket (SS-DCB)**  
Two twist clips and SS-MBS are supplied. Clips twist onto t-bar stringers, and mounting bracket attaches with wing nuts.



**Mounting Bracket (SS-MBS)**  
For mounting speaker on a flat surface.

**Line Matching Transformer (SS-TX30-SA-MB)**

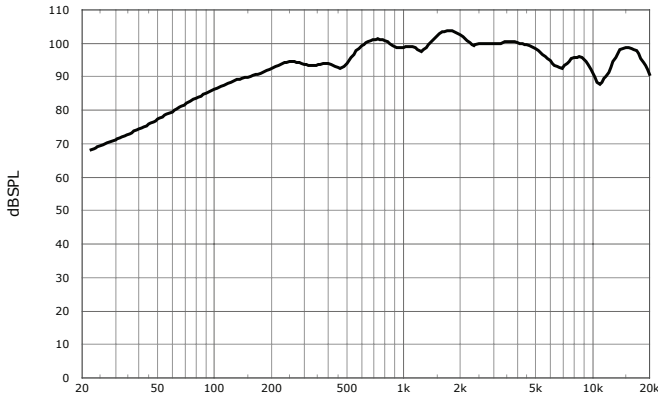
The Model TX30 is a 30 W line matching transformer for the Model 110B with taps for 25, 50, 70 and 100 V constant voltage systems. The TX30 is designed for factory or field mounting in the 110B reflector. Connection to system wiring is via 10" color-coded flying leads. Available taps - 25 V: 30, 15, 7.5, 3.8, 1.9, 1, 0.5 W | 50 V: 30, 15, 7.5, 3.8, 1.9 W | 70 V: 30, 15, 7.5, 3.8 W | 100 V: 30, 15, 7.5 W.



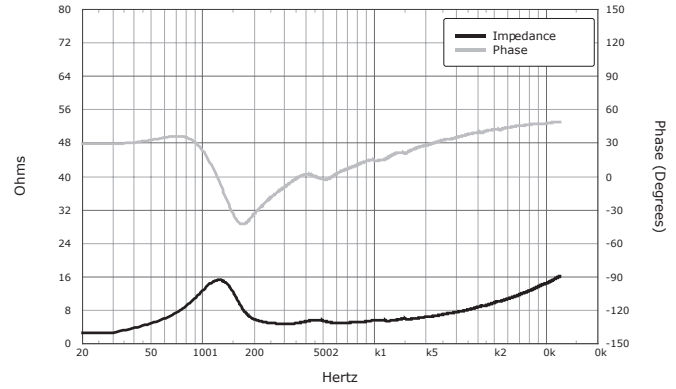
**Small Screen with Weather Filter (SS-SWFS)**  
Protects from foreign objects, plus a water protection barrier.

## Graphs

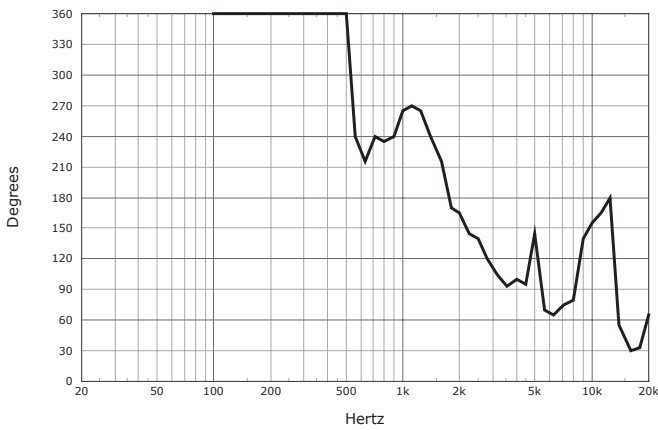
Hemispherical Frequency Response



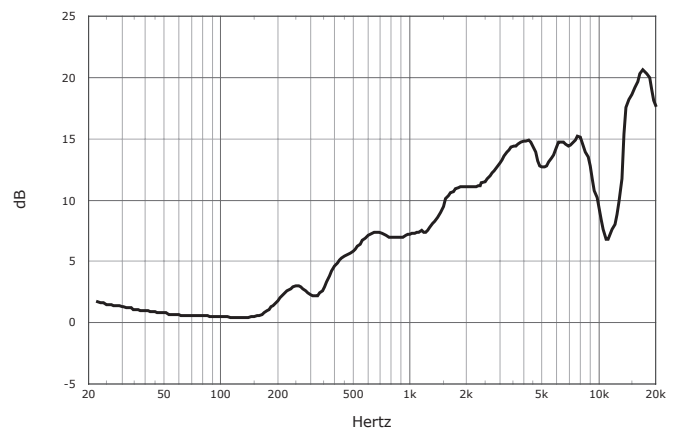
Phase/Impedance Response



Vertical Beamwidth ( $\pm 6$  dB)

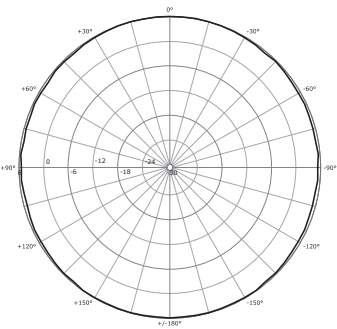


Directivity Index (DI)

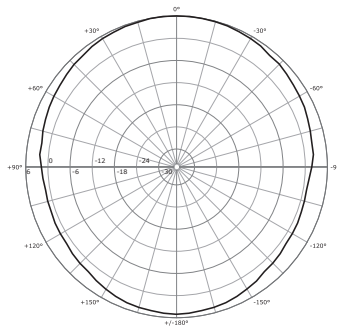


## Plots ( $\pm 6$ dB)

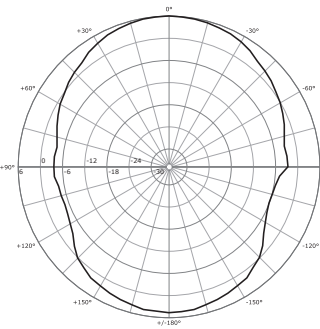
125 Hz



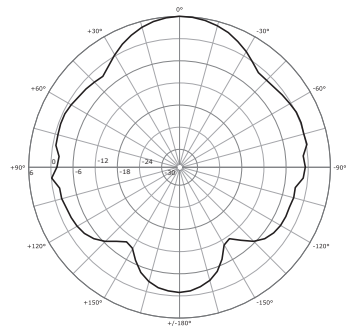
250 Hz



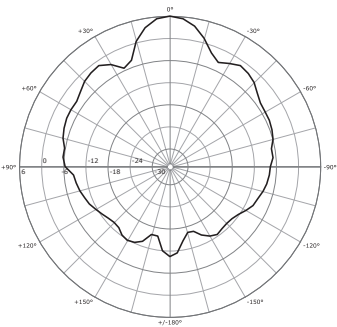
500 Hz



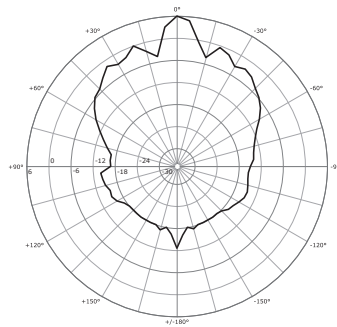
1,000 Hz



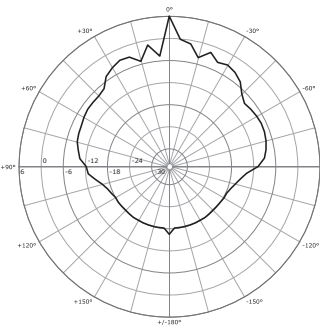
2,000 Hz



4,000 Hz



8,000 Hz



10,000 Hz

